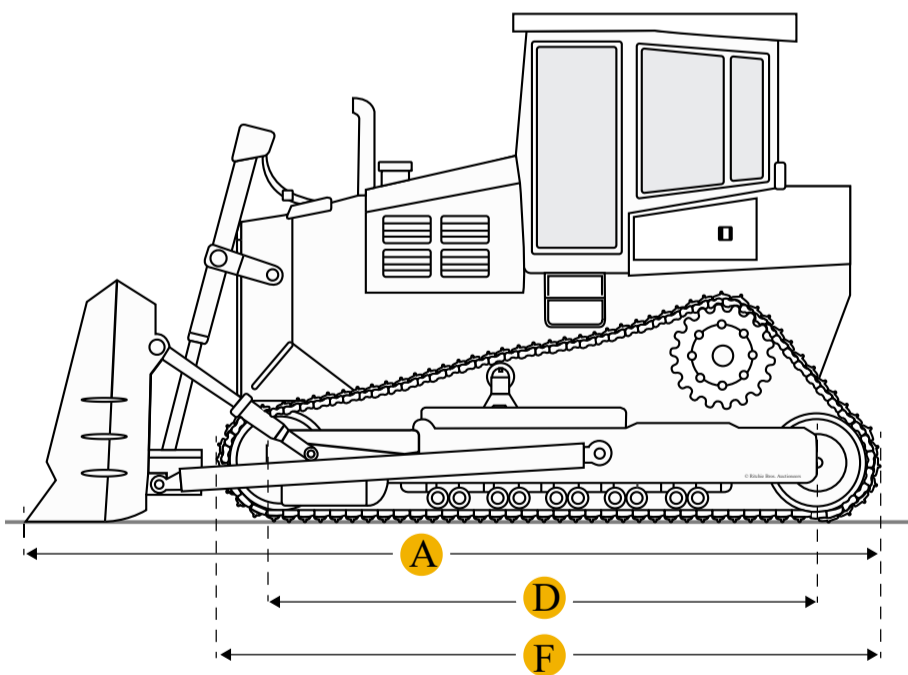
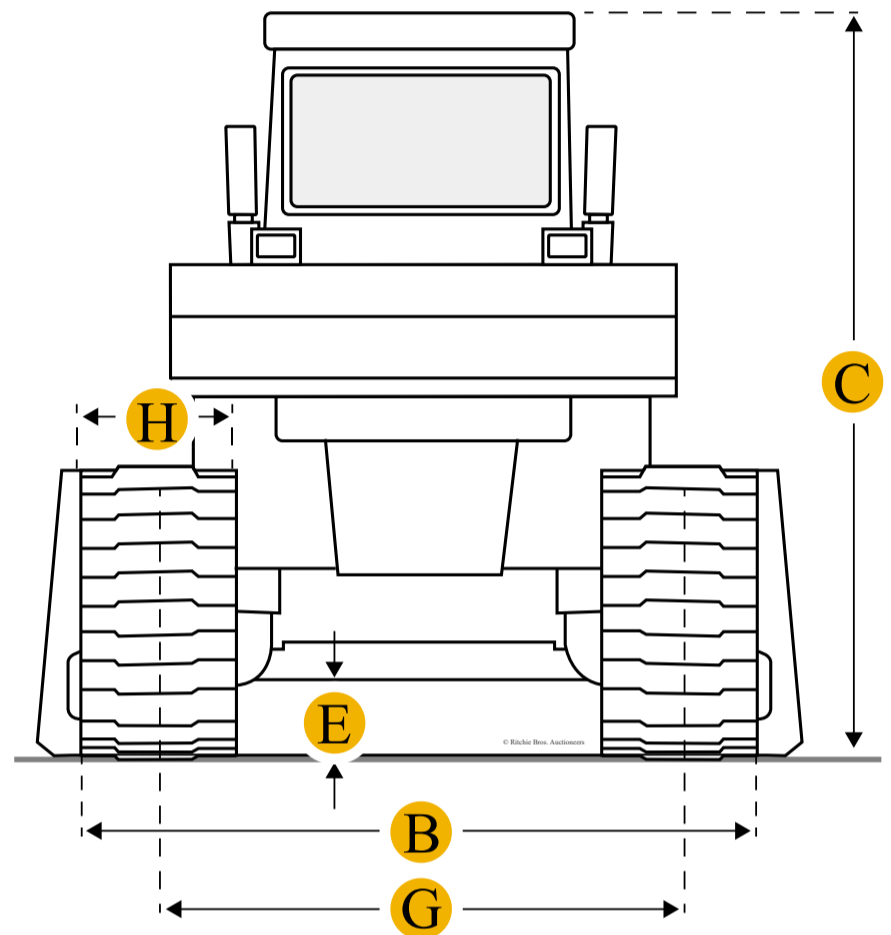
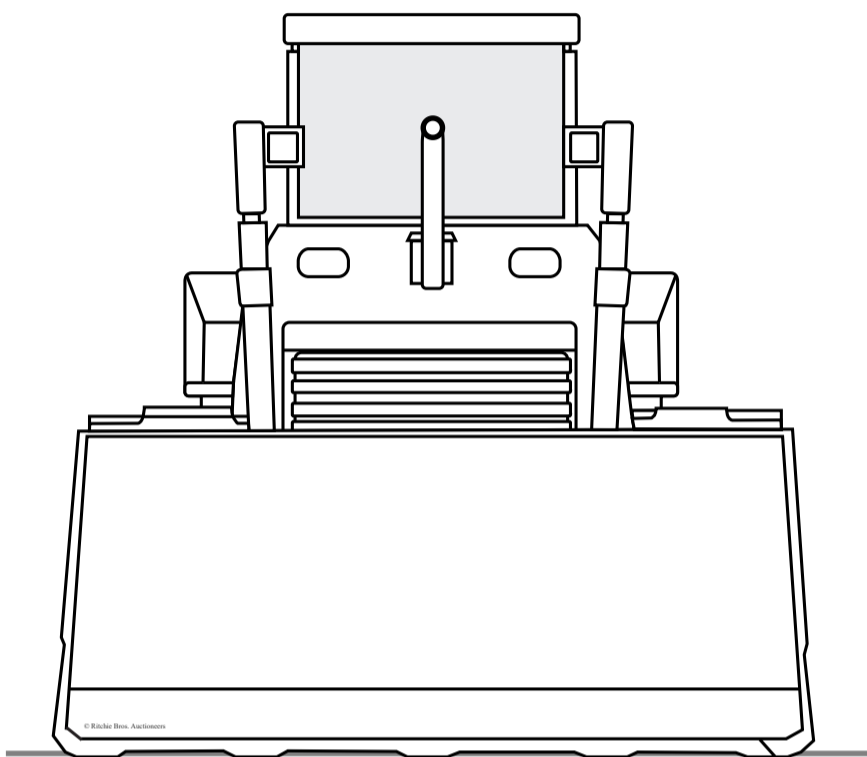


Search over 15900 equipment specs



[Home](#)

Caterpillar D6T XL Crawler Tractor



Units Imperial Metric

Dimensions

Dimensions

B Width Over Tracks

2440 mm

C	Height To Top Of Cab	3195 mm
D	Length Of Track On Ground	2871 mm
E	Ground Clearance	383 mm
F	Length W/O Blade	3860 mm
Undercarriage		
H	Standard Shoe Size	560 mm
	Ground Pressure	61.36 kPa
	Track Pitch	203 mm
	Ground Contact Area	3.22 m ²
	Number Of Track Rollers Per Side	7
	Number Of Shoes Per Side	41

Specifications

Engine

Number Of Cylinders	6
Engine Make	2236
Engine Model	C9 ACERT
Gross Power	170 kw
Net Power	149 kw
Power Measured @	1850 rpm
Displacement	8.8 L

Operational

Operating Weight	20319 kg
Fuel Capacity	424 L
Cooling System Fluid Capacity	76.8 L
Engine Oil Capacity	28 L
Hydraulic Fluid Capacity	51.5 L
Powertrain Fluid Capacity	145.7 L

Final Drives Fluid Capacity	13.6 L
Operating Voltage	24 V
Alternator Supplied Amperage	95 amps
Transmission	
Transmission Type	Powershift
Number Of Forward Gears	3
Number Of Reverse Gears	3
Max Speed - Forward	11.5 km/h
Max Speed - Reverse	14.6 km/h
Hydraulic System	
Relief Valve Pressure	19300 kPa
Pump Flow Capacity	189 L/min
Standard Blade	
Width	4165 mm
Height	1155 mm
Capacity	4 m3
Cutting Depth	524 mm

Compare similar models

[Hitachi DX195L](#)

Net Power 165 hp

Operating Weight 43497.3 lb

[Caterpillar D6T \(Tier 4 Final\)](#)

Net Power --

Operating Weight 46263 lb

[Caterpillar D6T \(Tier 4 Interim/Stage IIIB\)](#)

Net Power --

46158 lb