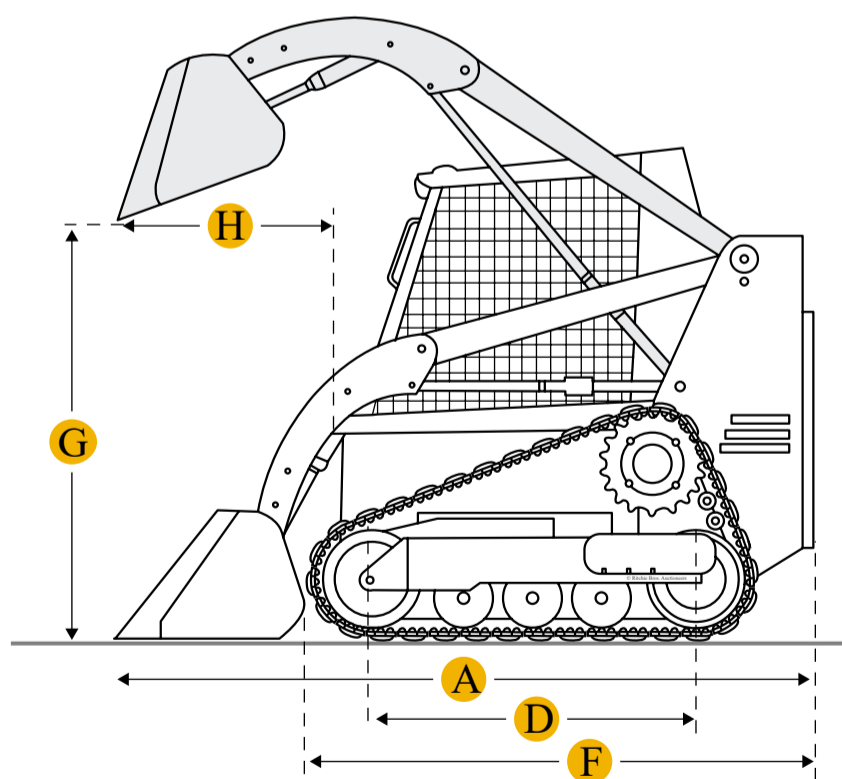
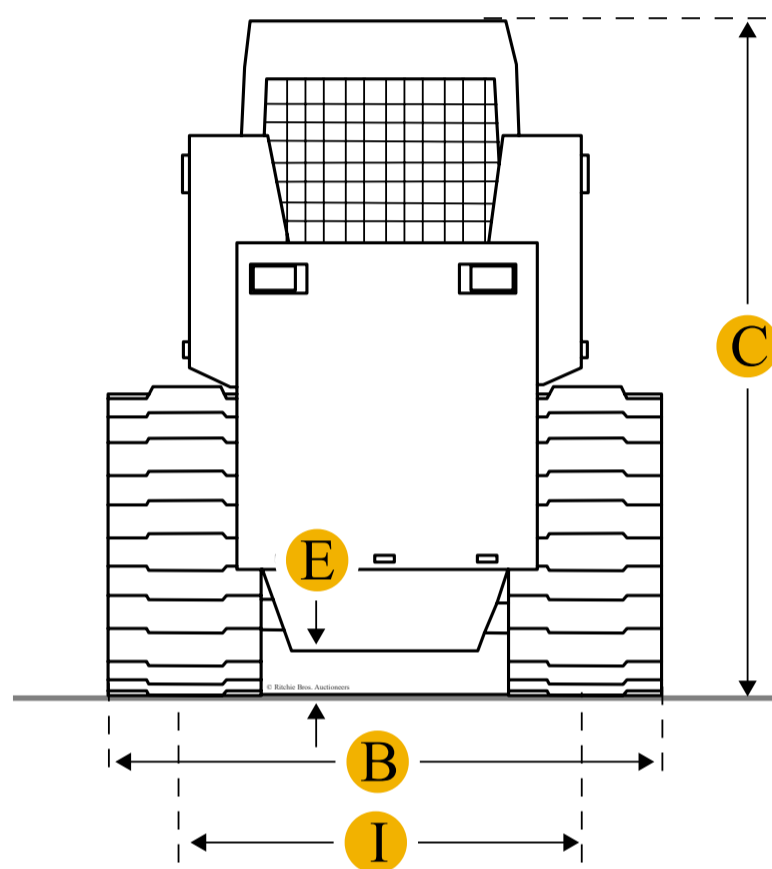
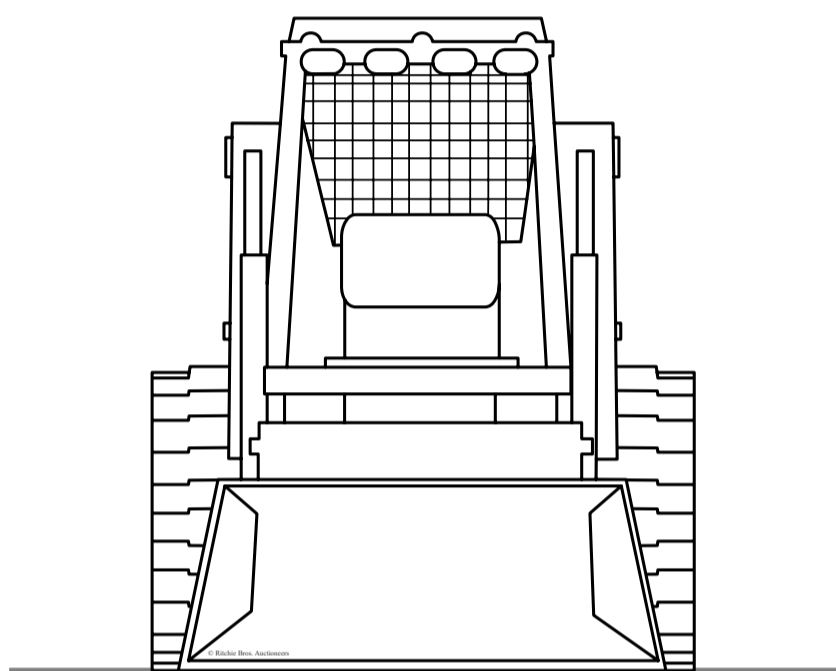


Search over 15900 equipment specs



[Home](#) [Multi Terrain Loader](#) [ASV](#) [RC50](#)

ASV RC50 Multi Terrain Loader



Units

Dimensions

Dimensions

B	Width Over Tracks	1524 mm
C	Height To Top Of Cab	1956 mm
E	Ground Clearance	305 mm
	Length With Bucket	3251 mm
	Length With Out Bucket	2540 mm

Undercarriage

D	Length Of Track On Ground	1499 mm
I	Track Gauge	1143 mm
	Ground Contact Area	1.14 m ²
	Number Of Track Rollers Per Side	6
	Width Of Track	381 mm
	Ground Pressure	24.14 kPa

Specifications

Engine

Engine Make	2351
Engine Model	404C-22
Gross Power	37.3 kw
Power Measured @	2800 rpm
Peak Torque	142.4 Nm
Displacement	2.2 L

Operational

Operating Weight	2812.3 kg
Cooling System Fluid Capacity	7.6 L
Engine Oil Capacity	10.6 L
Fuel Capacity	56.8 L

Hydraulic System Fluid Capacity	30.3 L
Operating Voltage	12 V
Alternator Supplied Amperage	55 amps
Max Speed - High Range	12.9 km/h
Loader	
Operating Load	861.9 kg
Tipping Angle	3800 degrees
Hydraulic	
Pump Flow	61.8 L/min
Relief Valve Pressure	20684.3 kPa

Compare similar models

[Terex PT50](#)

Operating Load 1900 lb

Operating Weight 6200 lb

[ASV RC60 Turf Edition](#)

Operating Load 1900 lb

Operating Weight 6200 lb

[ASV RC60](#)

Operating Load 1900 lb

Operating Weight 6200 lb

Compare

Find ASV RC50 Multi Terrain Loader for Sale



[2019 Gehl RT105 Compact Track Loader](#)

617

NORTH EAST, MD

[See ASV Multi Terrain Loader for sale rbauction.com](#)

[See ASV Multi Terrain Loader for sale ironplanet.com](#)

[See ASV Multi Terrain Loader for sale mascus.com](#)

Need help? Contact Us

English

Company +

Popular Searches +

Looking for equipment or trucks?

Ritchie Bros. sells more new and used industrial equipment and trucks than any other company in the world.

[Equipment for sale on rbauction.com](#)

[Equipment for sale on ironplanet.com](#)

[Equipment for sale on mascus.com](#)

[Sell your equipment](#)

© 2007-2018 RitchieSpecs Equipment Specifications Ritchie Bros. Auctioneers © [Privacy Statement](#) | [Terms of Use](#)
OEM specifications are provided for base units. Actual equipment may vary with options.