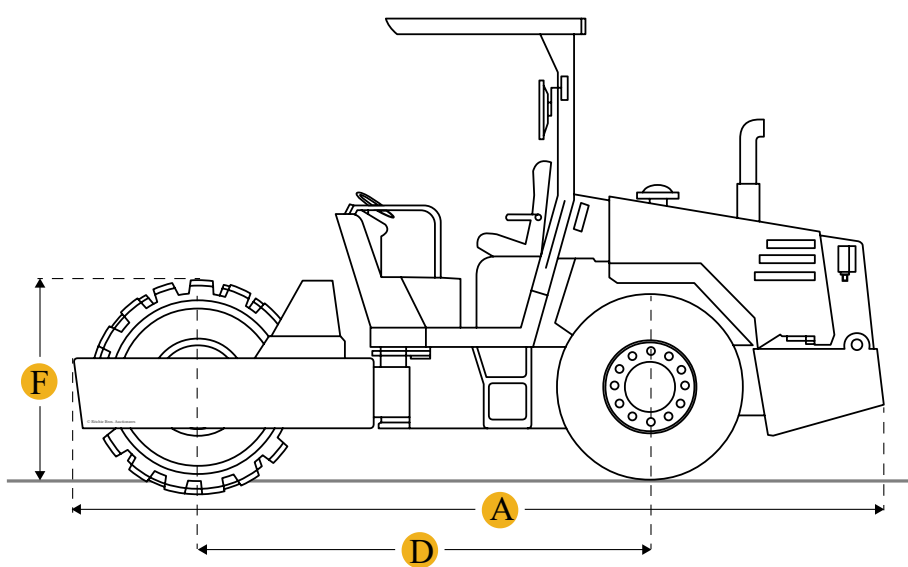
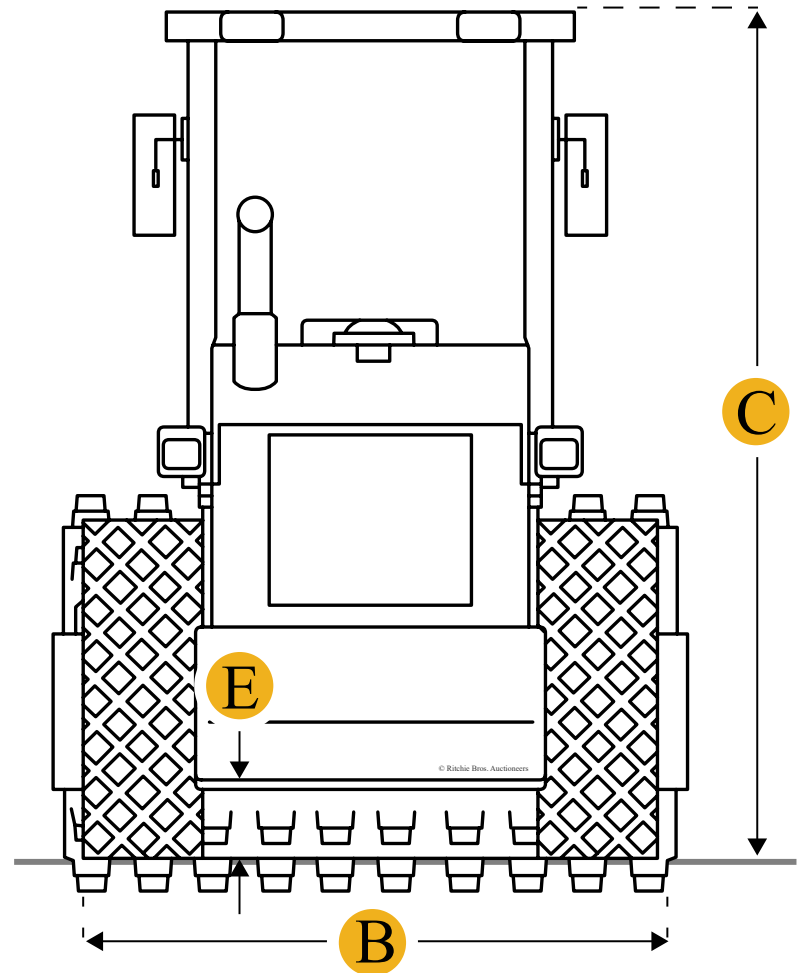
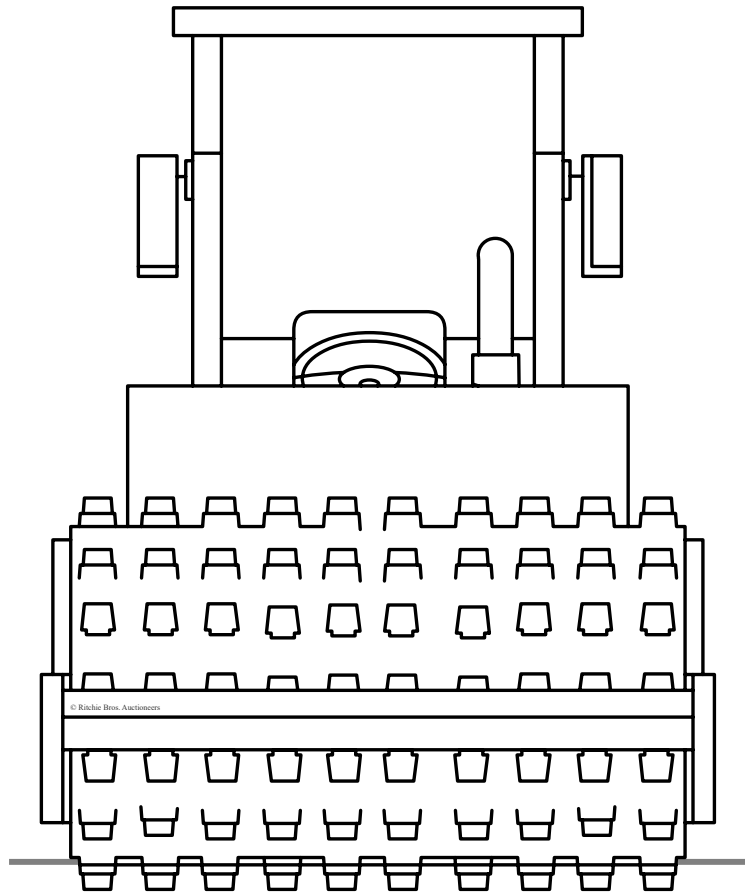


Rammax RW3005SPT Vibratory Compactor



Units

Dimensions

Dimensions

B Width Over Tires

1300 mm

C	Height To Top Of Cab	2470 mm
	Overall Length W/ Blade	4010 mm
Drum		
F	Drum Diameter	890 mm
	Nominal Amplitude - High	1.8 mm
	Drum Width	1200 mm
	Centrifugal Force - High	85 kN
	Vibration Frequency 1	34 Hz

Specifications

Engine

Number Of Cylinders	4
Engine Make	2334
Engine Model	V2203
Gross Power	36.4 kw
Power Measured @	3000 rpm

Operational

Operating Weight	3400 kg
Fuel Capacity	64 L
Hydraulic System Fluid Capacity	140 L
Max Speed	7 km/h

Compare similar models

Manufacturer/Model	Drum Width	Operating Weight
<input type="checkbox"/> Rammax RW3005S	47.3 in	7495.8 lb
<input type="checkbox"/> Bomag BW124PDH-3 w/ blade	47.3 in	7385.5 lb
<input type="checkbox"/> Bomag BW124PDH-3	47.3 in	7385.5 lb