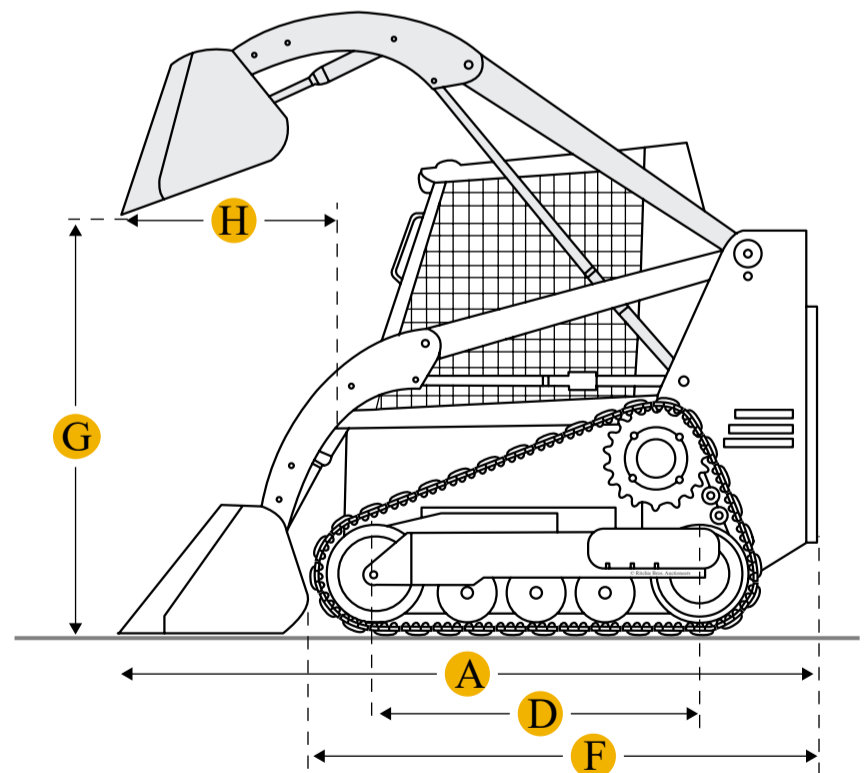
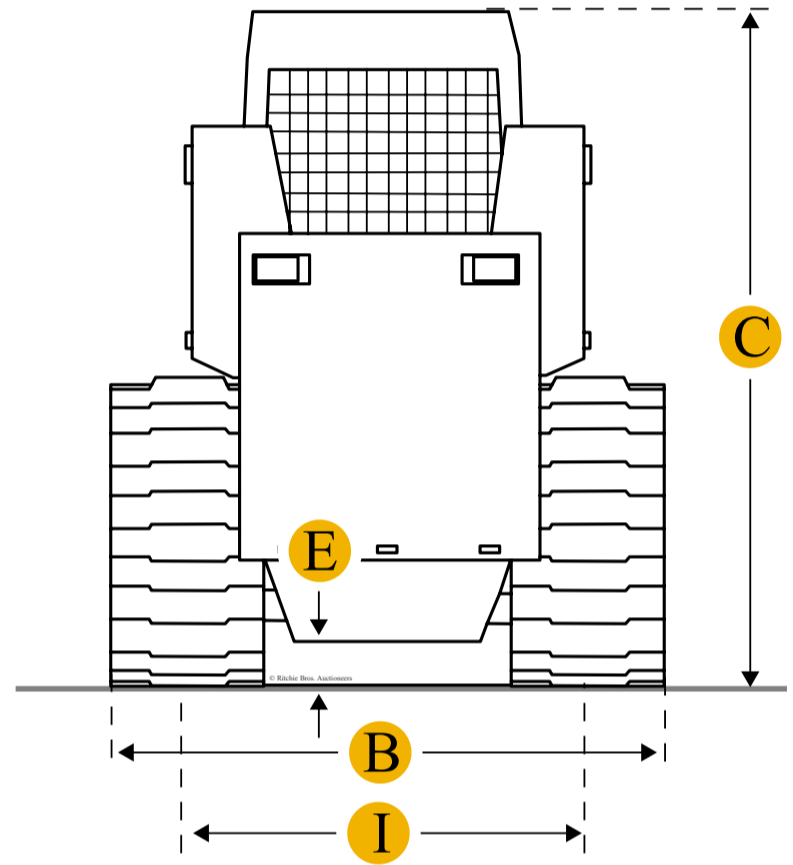
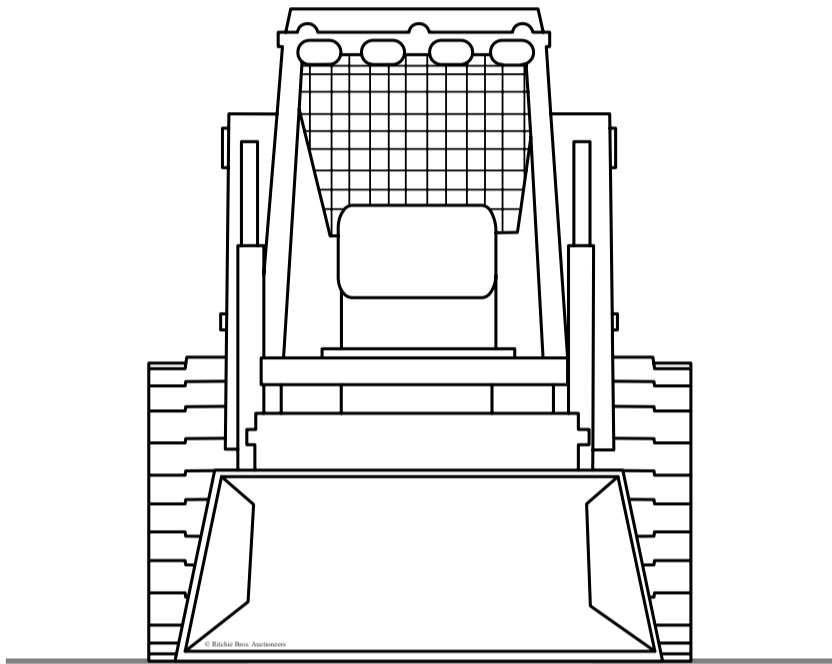




Case 450CT Multi Terrain Loader



Dimensions

Dimensions

B	Width Over Tracks	2098 mm
C	Height To Top Of Cab	2030 mm
E	Ground Clearance	231 mm
G	Clearance At Max Lift And Dump	2400 mm
H	Reach At Max Lift And Dump	678 mm
	Turning Radius From Center - Machine Rear	1580 mm
	Length With Bucket	3590 mm
	Turning Radius From Center - Inc Bucket	2190 mm
	Length With Out Bucket	2770 mm

Undercarriage

D	Length Of Track On Ground	1645 mm
I	Track Gauge	1661 mm
	Ground Contact Area	1.38 m ²
	Number Of Track Rollers Per Side	4
	Width Of Track	450 mm
	Ground Pressure	33.1 kPa

Specifications

Engine

Number Of Cylinders	4
Engine Make	2239
Engine Model	Family III 445T/M2, Tier II certified
Gross Power	65.7 kw
Net Power	61.2 kw
Power Measured @	2300 rpm
Peak Torque	356 Nm

Torque Measured @	1400 rpm
Displacement	4.5 L
Aspiration	turbocharged
Operational	
Operating Weight	4951 kg
Cooling System Fluid Capacity	17 L
Fuel Capacity	78.3 L
Engine Oil Capacity	12 L
Hydraulic System Fluid Capacity	64.3 L
Operating Voltage	12 V
Alternator Supplied Amperage	95 amps
Max Speed - Low Range	8.5 km/h
Max Speed - High Range	12 km/h
Loader	
Breakout Force	2812.3 kg
Operating Load	1750 kg
Tipping Angle	7714 degrees
Bucket Capacity	0.6 m ³
Hydraulic	
Pump Type	gear pump
Pump Flow	83.9 L/min
Relief Valve Pressure	20684.3 kPa

Compare similar models

[Case 450CT Series 3](#)

Net Power 83 hp

Operating Load 3857 lb
